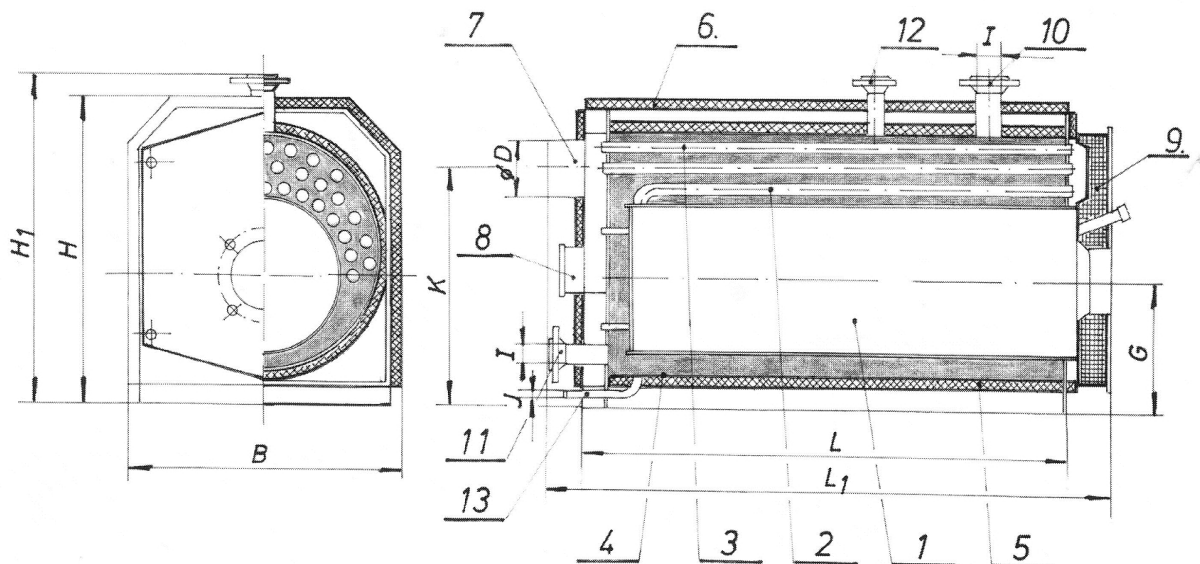


Hot water boiler type TK3H



Hotwater boiler type TK3H is designated for firing liquid and gaseous fuels. The boiler is constructed with three drafts. Maximum working pressure is 6 bars, maximum working temperature is 110/90 °C. The door can be opened either on the left or right side what enables easy approach to the firing box. The boiler has very low heat energy losses because the insulation is very good. The profile frame enables easy transport and manipulation with the forklift.



- | | | | |
|---------------------------|---------------------|----------------------|-----------------------|
| 1.Plamena cev | 5.Izolacija | 9.Vrata kotla | 13.Punjenje i pražnj. |
| 2.Dimna cev druge promaje | 6.Zaštitna obloga | 10.Polazni vod | |
| 3.Dimna cev treće promaje | 7.Dimni priključak | 11.Povratni vod | |
| 4.Plašt kotla | 8.Vrata za čišćenje | 12.Sigurnosni ventil | |

Boiler type	Capacity	Water quantity	B	H	H1	L	L1	G	K	D	I	M	J	Weight
	kW	l	mm								DN	col	kg	
TK3H 100	100	160	750	900	990	1180	1400	350	650	180	50	40	1	310
TK3H 150	150	220	750	900	990	1280	1500	350	650	200	50	40	1	420
TK3H 200	200	310	800	950	1040	1380	1600	375	700	200	65	40	1	550
TK3H 250	250	350	800	950	1040	1480	1700	375	700	200	65	50	1	600

TK3H 300	300	400	850	1100	1090	1580	1800	400	750	200	80	50	1	680
TK3H 400	400	450	950	1100	1090	1680	1900	450	825	250	100	50	1	800
TK3H 500	500	550	950	1100	1100	1780	2000	450	825	250	100	50	1	950
TK3H 650	650	710	1100	1250	1340	1980	2200	525	950	300	125	50	1	1250
TK3H 800	800	850	1250	1400	1490	2180	2400	600	1100	300	125	50	1	1630
TK3H 1000	1000	1230	1400	1550	1640	2380	2600	675	1225	350	150	65	1	2250
TK3H 1500	1500	1580	1500	1650	1740	2630	2850	725	1325	350	150	65	1	3050
TK3H 2000	2000	2350	1700	1850	1940	2980	3200	775	1475	450	150	80	1	3950
TK3H 2500	2500	2670	1750	1900	1990	3380	3600	800	1525	450	200	80	1	4400
TK3H 3000	3000	3250	1800	1950	2040	3730	3950	825	1500	600	200	80	1	4800