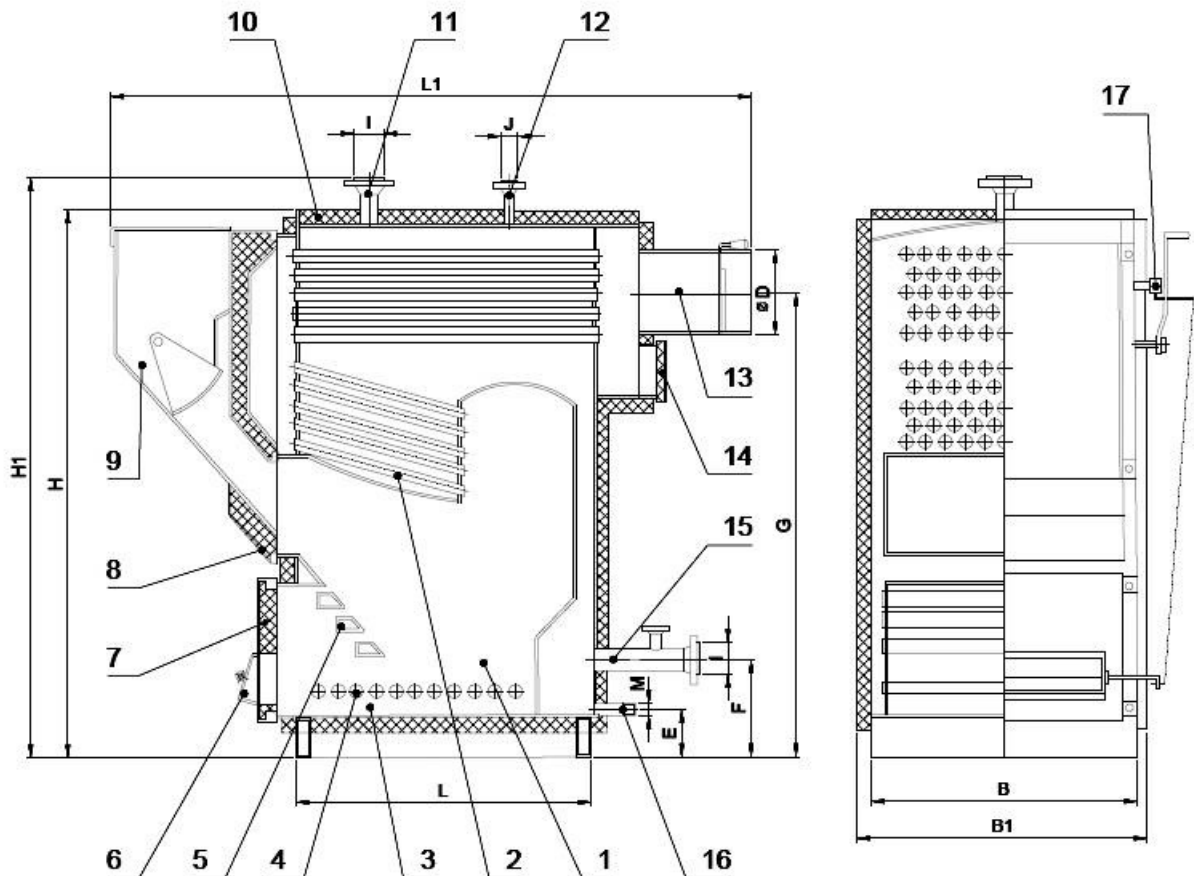


### Hot water boiler type TKC-S

Hot water boiler type TKC-S is designed for all types of granulated coal size: cube(30-60mm) and nut(16-30mm). The boiler has a large firing box which enables filling with large quantities of coal. At the front of firing door is a coal bunker which contains fuel for 4 hours of continuous work. The coal bunker has opening at the bottom and the opening and shutting is regulated by draft regulator and air clap. Since the coal bunker is filled from the top the coal storage has to be above the H level on the drawing.

The boiler is designed with three drafts which provide energy utilisation up to 90%. The boiler is made out of high quality boiler steel and has two passes, pipe exchanger and water cooled grid. The boiler has a very small energy loss because of the good insulation. Cleaning and maintenance of the boiler is very easy through the cleaning doors and the opening at the back of the boiler. Left or right opening version can be purchased depending on the boilers-room space.



- |                               |                             |                                    |                                     |
|-------------------------------|-----------------------------|------------------------------------|-------------------------------------|
| Firing chamber                | 6. Draft door               | 11. Smoke connection with the clap | 16. Filling and clearing connection |
| 2. Smoke pipes                | 7. Ash removal door         | 12. Cleaning door                  | 17. Draft regulator                 |
| 3. Ash area                   | 8. Cleaning and firing door | 13. Starting conduit               |                                     |
| 4. Water cooled flat grid     | 9. Coal bunker              | 14. Security conduit               |                                     |
| 5. Water cooled slanting grid | 10. Casing with insulation  | 15. Returning conduit              |                                     |

Boiler type	Capacity	Water quantity	B	B1	H	H1	L	L1	E	F	G	D	I	J	M	Weight
	kW	l	mm										DN	col	kg	
TKC-S 150	150	620	850	930	2000	2090	1100	2150	175	400	1750	300	65	32	1	1320
TKC-S 200	200	685	1000	1080	2000	2090	1100	2150	175	400	1750	300	80	40	1	1580
TKC-S 250	250	740	1150	1230	2000	2090	1100	2150	175	400	1725	350	80	40	1	1850
TKC-S 300	300	805	1350	1430	2200	2290	1100	2150	175	400	1925	350	100	50	1	2130
TKC-S 400	400	1050	1350	1430	2400	2490	1300	2350	175	400	2100	400	100	50	1	2640
TKC-S 500	500	1485	1450	1530	2700	2790	1500	2350	175	400	2400	400	100	50	1	3150
TKC-S 650	650	2310	1750	1830	3000	3090	1500	2350	175	400	2650	500	100	50	1	4350
TKC-S 800	800	3250	1750	1830	3100	3190	1800	2850	175	400	2750	500	125	65	1	5680