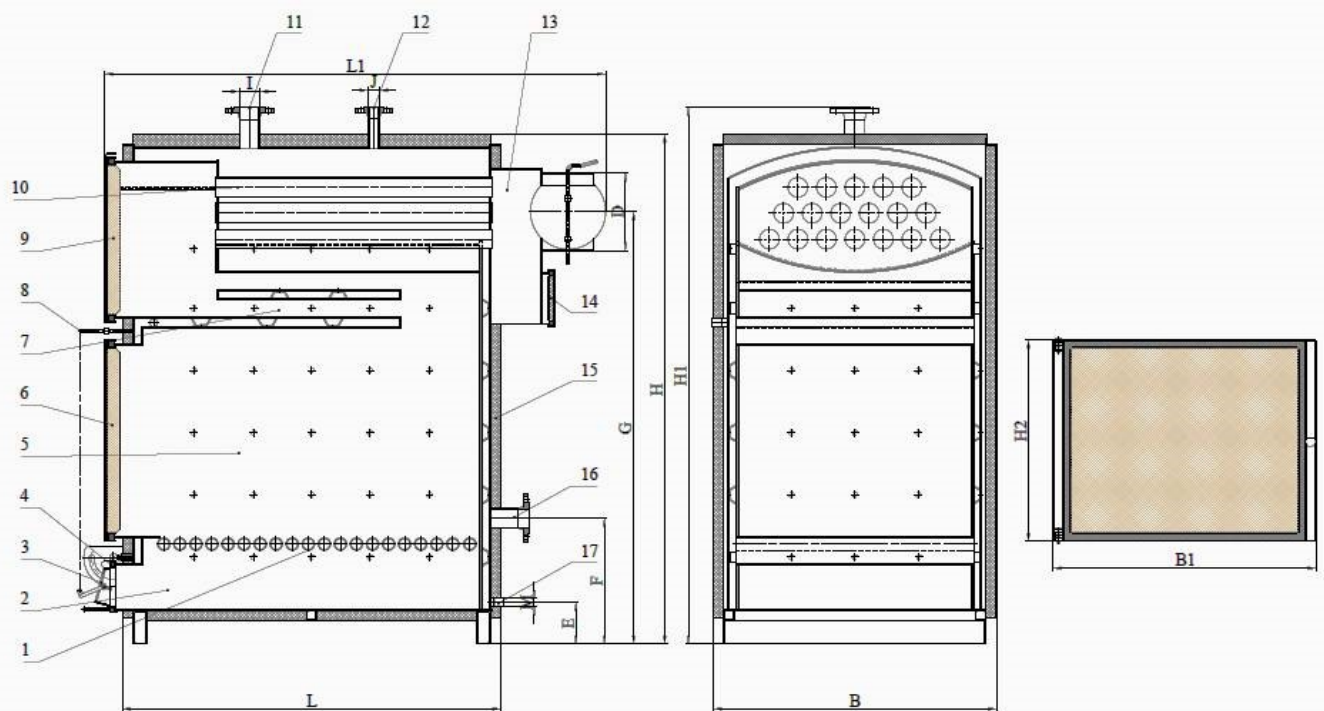


Hot water boiler type TKLC BIO



TKLC BIO is designated for firing baled biomass but solid fuels as well (wood, coal). This boiler has a large firing door which enables filling the boiler with voluminous biomass but also with large quantity of solid fuel. The boiler has three drafts and has pipe heat exchanger, made out of high quality boiler steel with two capes and also water cooled grid. The boiler has low thermal because of good insulation. Cleaning and maintenance is very easy through the front doors and opening at the rare side of the boiler. The steel frame enables safe and secure lifting and moving of the boiler.



- | | | | |
|--------------------------|--------------------|-----------------------------|----------------------------|
| 1. Water cooled grid | 5. Firing place | 9. Cleaning door | 13. Smoke box |
| 2. Ash area | 6. Firing door | 10. Smoke pipes | 14. Cleaning opening |
| 3. Draft regulation clap | 7. Dimni kanali | 11. Outgoing conduit | 15. Casing with insulation |
| 4. Ash removal | 8. Draft regulator | 12. Safety valve connection | 16. Returning conduit |
| | | | 17. Filling and claring |

Boiler type	Capacity	Water quantity	B	B1	H	H2	H1	L	L1	E	F	G	D	I	J	M	Weight
	kW	l	mm											DN	col	kg	
TKLC BIO 150	150	540	1082	1008	1860	771	1870	1280	1720	150	480	1665	250	1 col	-	3/4"	640
TKLC BIO 200	200	630	1094	912	1968	2070	750	1462	1890	160	486	1669	300	65	32	3/4"	750
TKLC BIO 300	300	720	1152	982	2098	2200	750	1582	1940	160	486	1775	350	80	40	3/4"	880
TKLC BIO 400	400	790	1240	1050	1990	2075	600	2193	2644	160	346	1640	400	100	60	1"	1120